



Speed & Technique

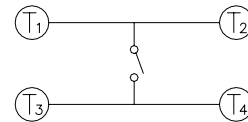
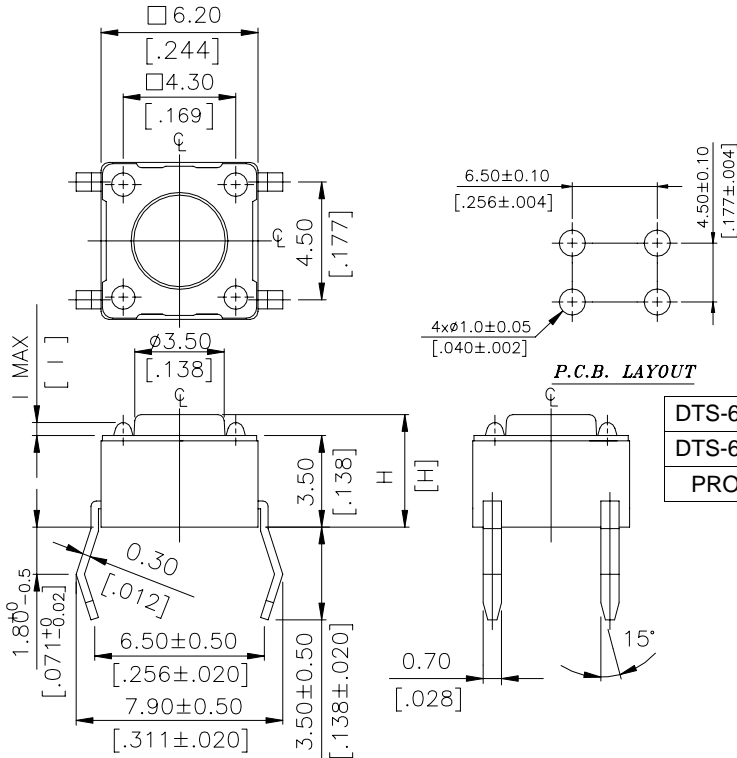
DIPTRONICS MANUFACTURING INC.

# DTS-6.2 SERIES



## DIMENSIONS

DTS-61~66 □



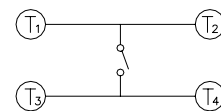
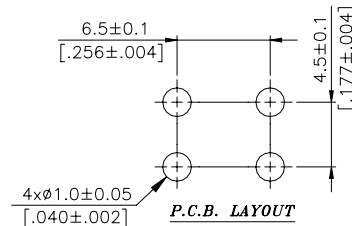
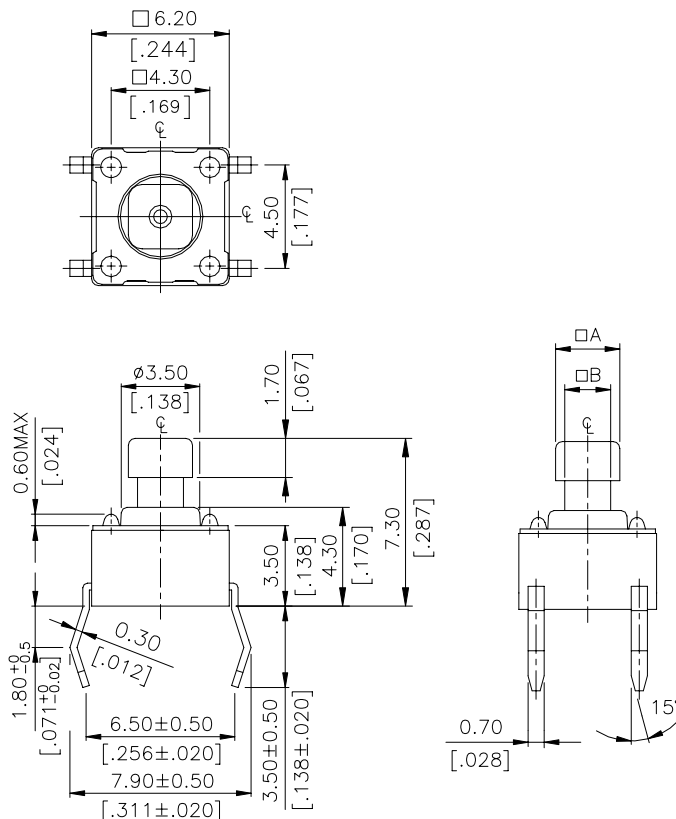
CIRCUIT DIAGRAM

DTS-62~66 □	0.6 MAX	.0236 MAX
DTS-61 □	0.5 MAX	.0197 MAX
PROD. NO.	I	INCHES.

DTS-6 6 □	13.0 [0.512]
DTS-6 5 □	9.5 [0.374]
DTS-6 3 □	7.0 [0.275]
DTS-6 2 □	5.0 [0.197]
DTS-6 1 □	4.3 [0.169]
PROD. NO.	H

General Tolerance : ±0.2mm

DTS-644 · 648 □



CIRCUIT DIAGRAM

DTS- 6 4 4 □	□A	2.4	[0.095]
	□B	1.6	[0.063]
DTS- 6 4 8 □	□A	2.8	[0.110]
	□B	2.0	[0.079]
PROD. NO.	LOC.	MM.	INCH.

DIMENSION

General Tolerance : ±0.2mm