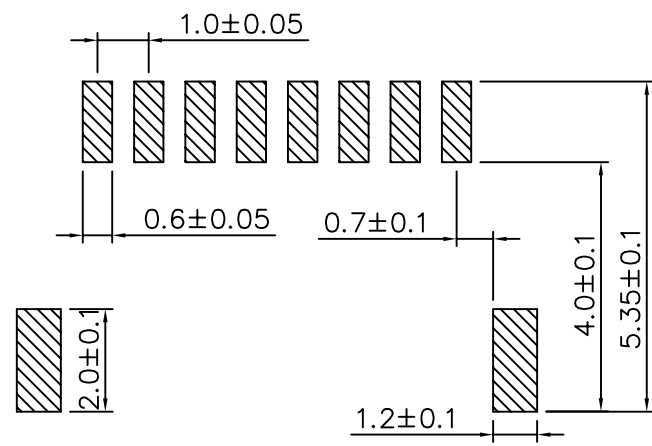
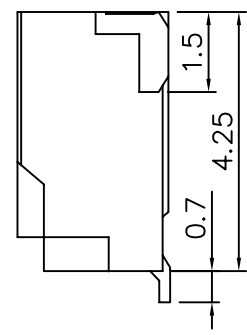
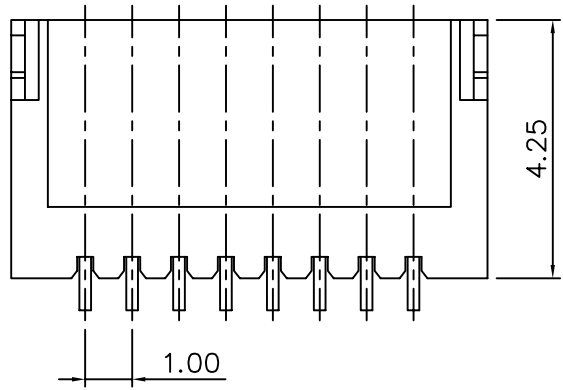
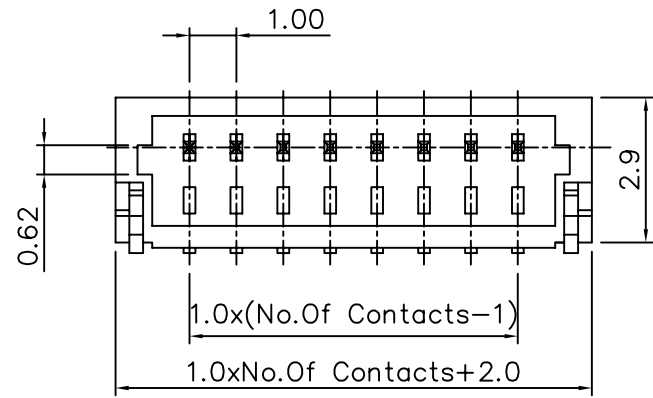


**SPECIFICATIONS**  
 Voltage Rating:50V(AC)  
 Current Rating:1.0A  
 Contact Resistance:20Milliohms Max.  
 Insulation Resistance:100Megohms Min.  
 Dielectric Withstanding Voltage:500V AC/1Minute  
 Insulator:High Tempern Ture Plastic  
 UL 94V-0 Color:Natural  
 Contact:Phosphor Bronze  
 Tin Plated  
 Temperature Range:-25°C ~+85°C



Recommended P.C.Board Layout



**4UCON** 元化興業股份有限公司  
 4UCON TECHNOLOGY INC.

DRAWING No.		APPROVED BY		UNLESS OTHERWISE SPECIFIED TOLERANCES ARE .X ±0.38 .XX ±0.25 .XXX
07278		MEI		
		RAN		
		DRAWING BY		
		HZF		
SCALE	NONE	REV.	A	UNIT mm

NO.	REV.	REVISIONS	CHK	DATE
△	A	NEW RELEASE	RAN	