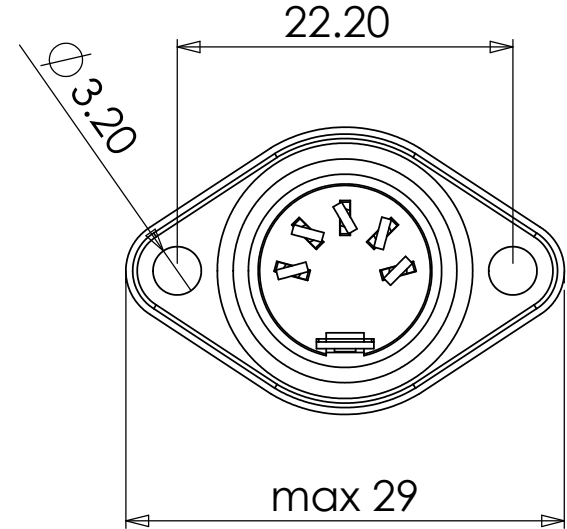
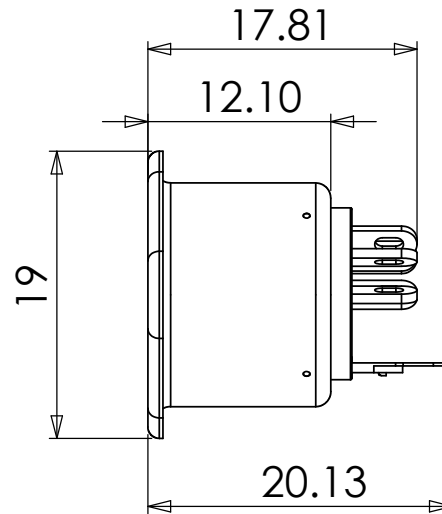
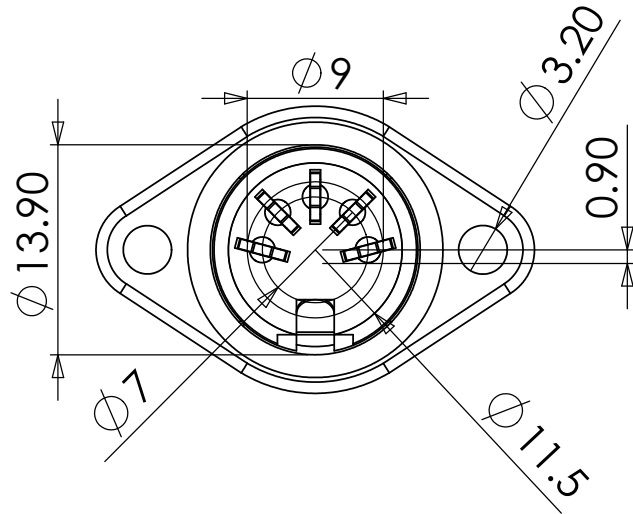


Insulation Resistance :
100 M Ω min. at 250V DC

Dielectric Strength :
250V AC for 1 min.

Current Capacity :
2 A 100V AC



| | | | | | | | | | | | |
|----------|---|---------|--|--|-------------|--------|--------|-------|----------|-----------|-----------|
| ITEM : | 5P180 DIN SOCKET PANEL MOUNT | | | | .X +/-0.25 | SHEET: | unit: | mm | date: | '07/01/23 | drwn by: |
| PART NO. | | DRW NO. | | | .XX +/-0.10 | | scale: | 2 : 1 | version: | V. 1.0 | aprld by: |