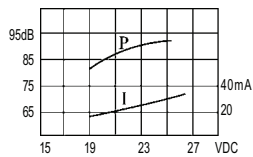
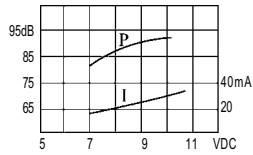
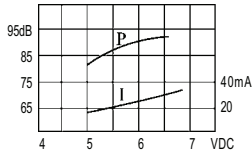
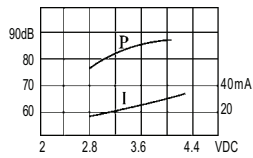
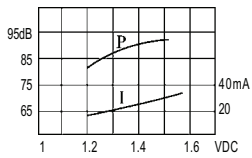
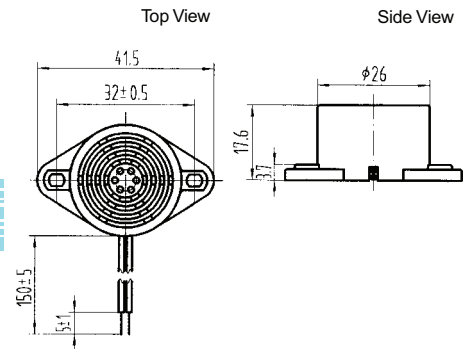


KPMB-2600(L) series Magnetic Buzzer

DIMENSIONS



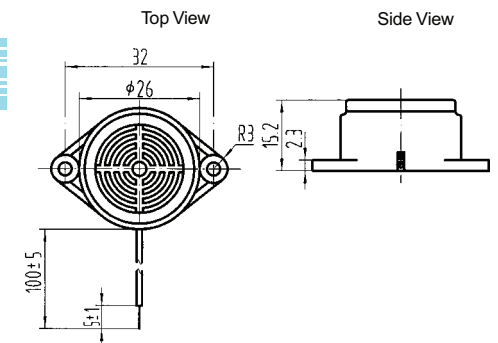
color Black
ABS Housing Material
Lead Terminal



DIMENSIONS



color Black
ABS Housing Material
Lead Terminal



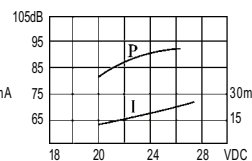
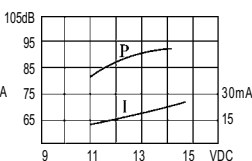
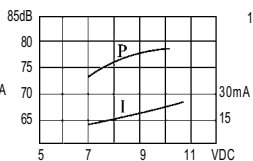
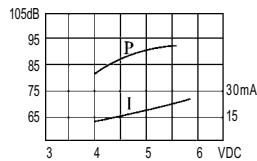
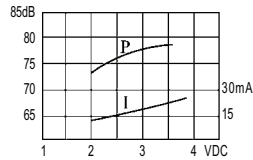
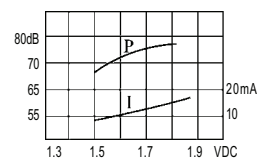
all dimensions are in mm

Model No	KPMB-2615(L)	KPMB-2603(L)	KPMB-2606(L)	KPMB-2609(L)	KPMB-2612(L)	KPMB-2624(L)
Rated Voltage	1.5VDC	3VDC	6VDC	9VDC	12VDC	24VDC
Operating Voltage	1~2VDC	2~4VDC	4~8VDC	6~12VDC	9~15VDC	15~27VDC
Max. Rated Current	40mA	40mA/3VDC	40mA/6VDC	25mA/9VDC	40mA/12VDC	40mA/24VDC
Min Sound Pressure Level	85dB/20cm	80dB/20cm	80dB/20cm	80dB/20cm	85dB/20cm	85dB/20cm
Resonant Frequency	400jA100Hz	400jA100Hz	400jA100Hz	400jA100Hz	400jA100Hz	400jA100Hz
Operating Temperature	-20~+60jæ	-20~+60jæ	-20~+60jæ	-20~+60jæ	-20~+60jæ	-20~+60jæ
Weight	12g	12g	12g	12g	12g	12g

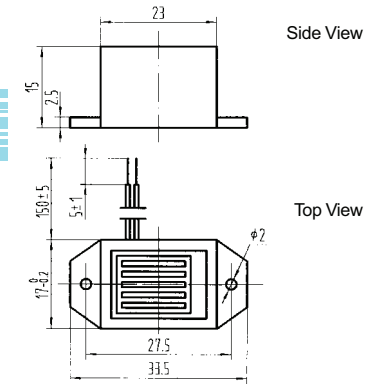
* Value applying at rated voltage

KPMB-2300L series MECHANICAL Buzzer

DIMENSIONS



color Black
ABS Housing Material
Lead Terminal



all dimensions are in mm

Model No	KPMB-2315L	KPMB-2303L	KPMB-2306L	KPMB-2309L	KPMB-2312L	KPMB-2324L
Rated Voltage	1.5 VDC	3VDC	6VDC	9VDC	12VDC	24VDC
Operating Voltage	1.3~2VDC	2~4VDC	4~8VDC	6~12VDC	9~15VDC	15~27VDC
Max. Rated Current	20mA at 1.5VDC	25mA at 3VDC	25mA at 6VDC	25mA at 9VDC	25mA at 12VDC	25mA at 24VDC
Min. Sound Pressure Level	70dB at 1.5VDC/20cm	75dB at 3VDC/20cm	75dB at 6VDC/20cm	75dB at 9VDC /20cm	75dB at 12VDC/20cm	75dB at 24VDC/20cm
Resonant Frequency	400jA100Hz	400jA100Hz	400jA100Hz	400jA100Hz	400jA100Hz	400jA100Hz
Operating Temperature	-20~+60jæ	-20~+60jæ	-20~+60jæ	-20~+60jæ	-20~+60jæ	-20~+60jæ
Weight	10g	10g	10	10g	10g	10g

* Value applying at rated voltage

The information contained herein is believed to be correct, but no guarantee or warranty, express or implied, with respect to accuracy, completeness or results is extended and no liability is assumed. DB Products Ltd. reserves the right to make changes in any specification, data or material contained herein.