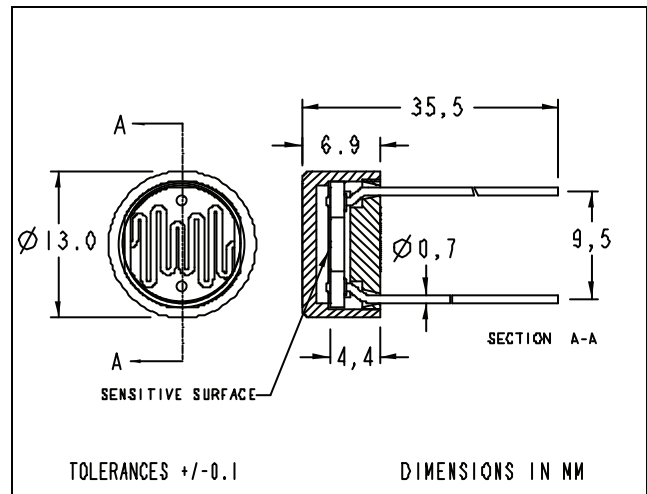
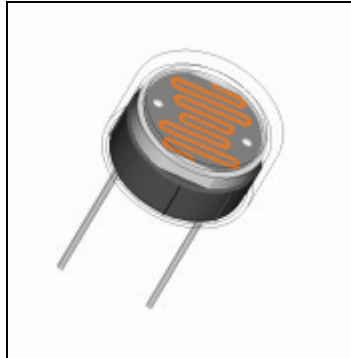




NORPS-12

CdS Photocell
Plastic Package



Description

The NORPS-12 is a CdS photoconductive cell with a spectral response similar to that of the human eye, encapsulated in a moisture-resistant coating and enclosed in a plastic casing.

Absolute Ratings Maximum

Operating Temperature	-60 to +75°C
Storage Temperature	-60 to +75°C
Voltage (peak AC or DC)	250 Volts
Power Dissipation at 30°C (2)	250mW

Electrical Characteristics (T_A=25°C unless otherwise noted)

Symbol	Parameter	Min.	Typ.	Max.	Units	Test Conditions
R _L	Light Resistance	5.4		12.6	kΩ	1 ftc. (1)
R _D	Dark Resistance			2.5	MΩ	15 sec. after removal of test light.
λ _P	Spectral Peak		550		nm	

Specifications subject to change without notice

104510 REV 0

Notes: (1) Cells light adapted at 30 to 50 ftc for 16 hrs minimum prior to electrical tests.
(2) Derate linearly to zero at 75°C.

5200 St. Patrick St., Montreal
Que., H4E 4N9, Canada
Tel: 514-768-8000
Fax: 514-768-8889

The Old Railway, Princes Street
Ulverston, Cumbria, LA12 7NQ, UK
Tel: 01 229 581 551
Fax: 01 229 581 554