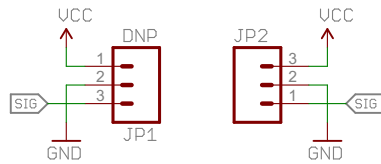


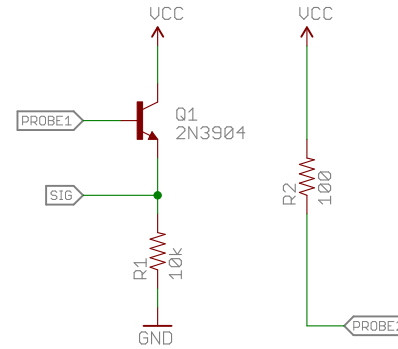
Connectors:
 JST Jumper 3 Wire Assembly - PRT-09915
 Screw Terminals 3.5mm Pitch (3-Pin) - PRT-08235

Vcc = 3.3V-5V



DO NOT POWER CONSTANTLY
 It is recommended that you use a digital GPIO pin on whichever microcontroller or IC you're using to control the sensor to power the sensor.

Probe Circuit



Test different values for R1 to get lower power consumption while still getting a good ADC reading.

Rod length and spacing were not the most significant variables.
 In general you want the probes long enough to reach the moist soil and not so close together that they are likely to touch accidentally.
 Keeping them about an inch apart works great.
 The big variable is the composition of the soil itself (especially salts), so ideally you would calibrate for each type of soil.
 -Rob Faludi

Based off the Soil Moisture Circuit found at: <http://www.faludi.com/2006/11/02/moisture-sensor-circuit/>

PCB design inspired by the Soil Moisture Sensor from DFRobot
http://www.dfrobot.com/index.php?route=product/product&product_id=599



Released under the Creative Commons Attribution Share-Alike 4.0 License https://creativecommons.org/licenses/by-sa/4.0/	
TITLE: SparkFun_Soil_Moisture_Sensor	
Design by: Joel Bartlett	REV: v10
Date: not saved!	Sheet: 1/1